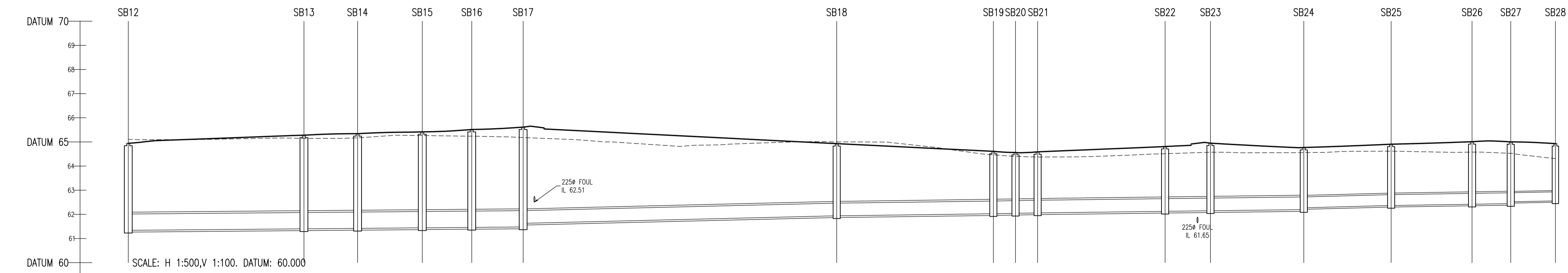
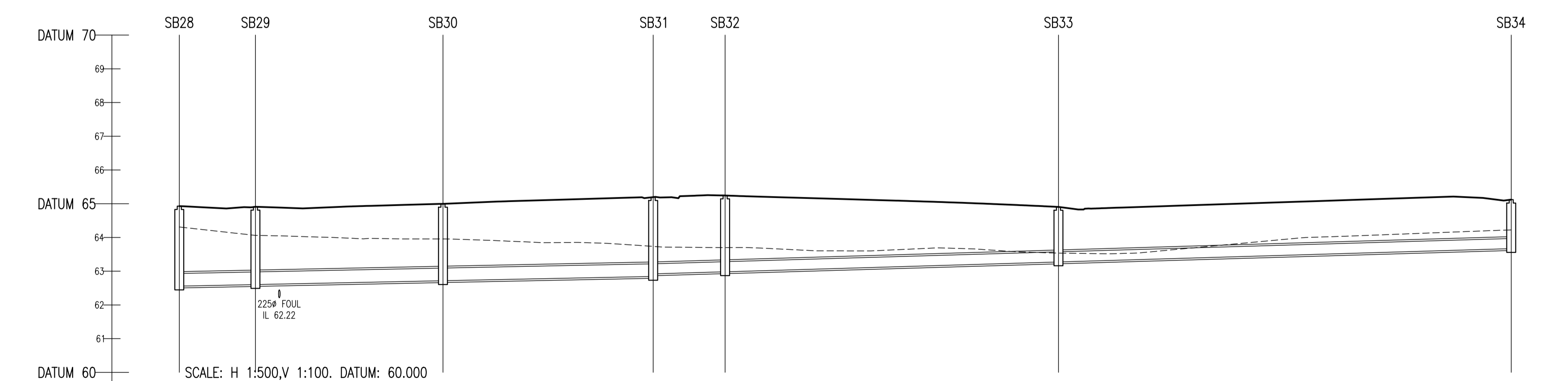


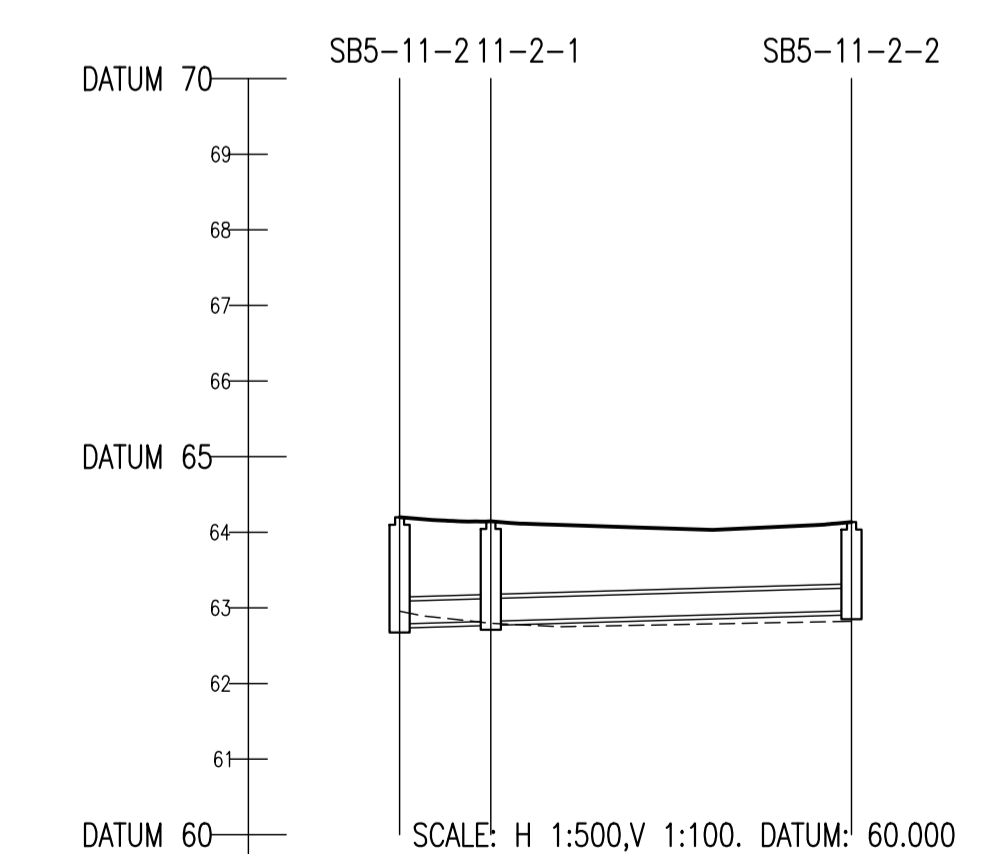
COVER LEVEL	60.835	63.000	63.000	62.500	62.488	63.831	63.636	63.799	63.947	64.041	64.804	64.942
INVERT LEVEL	1.033	60.685	60.727	60.759	60.988	61.001	61.164	61.206	61.243	61.259	61.328	61.340
DEPTH (m)	1.947	2.278	2.273	1.741	1.860	2.743	2.435	2.355	2.665	2.744	3.438	3.565
DISTANCE (m)	36.16	3.28	3.23	20.76	39.40	36.66	24.99	21.85	9.22	40.81	6.51	
PIPE SLOPE	1:221	1:750	1:750	1:750	1:588	1:325	1:590	1:590	1:576	1:590	1:590	
PIPE SIZE	300mm	750mm	750mm	750mm	675mm	675mm	675mm	675mm	675mm	675mm	675mm	



COVER LEVEL	64.942	65.278	65.342	65.418	65.515	65.613	64.929	64.611	64.565	64.589	64.610	64.769	64.806	65.010	65.003	64.929
INVERT LEVEL	61.340	61.401	61.420	61.443	61.460	61.478	61.940	62.027	62.044	62.061	62.126	62.149	62.196	62.490	62.444	62.558
DEPTH (m)	3.565	3.540	3.884	3.937	4.017	4.097	2.592	2.546	2.484	2.480	2.647	2.763	2.535	2.501	2.553	2.334
DISTANCE (m)	36.42	11.12	13.40	10.26	10.65	65.01	32.48	4.59	4.58	26.43	9.41	19.35	18.11	16.77	8.02	9.26
PIPE SLOPE	1:590	1:590	1:590	1:590	1:590	1:209	1:373	1:270	1:269	1:407	1:409	1:405	1:189	1:323	1:321	1:244
PIPE SIZE	675mm	675mm	675mm	675mm	675mm	525mm	525mm	525mm	525mm	525mm	525mm	525mm	450mm	450mm	450mm	375mm

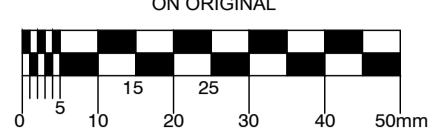


COVER LEVEL	64.929	64.910	64.997	65.196	65.245	64.905	65.120
INVERT LEVEL	62.568	62.604	62.718	62.844	62.982	63.274	63.688
DEPTH (m)	2.334	2.289	2.242	2.314	2.225	1.594	1.414
DISTANCE (m)	11.29	27.82	31.17	10.67	49.44	67.14	
PIPE SLOPE	1:245	1:244	1:245	1:169	1:170	1:170	
PIPE SIZE	375mm	375mm	375mm	300mm	300mm	300mm	



COVER LEVEL	64.198	64.144	64.134
INVERT LEVEL	62.285	62.822	62.982
DEPTH (m)	1.374	1.284	1.134
DISTANCE (m)	6.03	23.86	
PIPE SLOPE	1:168	1:170	
PIPE SIZE	300mm	300mm	

© COPYRIGHT OF THIS DRAWING IS RESERVED BY DBFL CONSULTING ENGINEERS. NO PART SHALL BE REPRODUCED OR TRANSMITTED WITHOUT THEIR WRITTEN PERMISSION.



- NOTES:
- ALL DRAWINGS TO BE CHECKED BY CONTRACTOR ON SITE AND ENGINEER INFORMED OF DISCREPANCIES BEFORE WORK COMMENCES
 - ALL LEVELS ARE IN METRES AND ARE RELATED TO ORDNANCE DATUM
 - CONTRACTOR SHALL SATISFY HIMSELF AS TO THE ACCURACY OF PAVEMENT LEVELS ON SITE PRIOR TO COMMENCEMENT OF WORKS ON SITE
 - ALL WORKS TO BE CONSTRUCTED IN ACCORDANCE WITH THE NRA SPECIFICATION FOR ROAD WORKS UNLESS NOTED OTHERWISE
 - THIS DRAWING IS FOR PLANNING PURPOSES ONLY
 - MANHOLE COVER LEVELS ARE TO CONFORM WITH FINISHED ROAD AND PATH LEVELS
 - WHERE COVER TO PIPE IS LESS THAN 1200mm (ROAD/PATH/VERGE) OR 900mm (OPEN SPACE) SURROUND PIPE IN MINIMUM 150mm CONCRETE

KEY
 - - - - - EXISTING GROUND PROFILE
 _____ PROPOSED GROUND PROFILE

PT	17/12/19	PLANNING ISSUE	PJC	BCM
REV	DATE	DESCRIPTION	BY	CHKD

STAGE 2 - PLANNING

DESIGNED	BCM	PREPARED	PJC
DATE	OCT 2019	CHECKED	DJR

DBFL Consulting Engineers
 Dublin Office: Ormrod House, Upper Ormrod Quay, Dublin 7, Ireland. PHONE +353 1 400 4000 FAX +353 1 400 4050
 Waterford Office: Unit 2, The Chandlery, 1-2 O'Connell Street, Waterford, Ireland. PHONE +353 51 338 550 FAX +353 51 844 913
 Email: info@dbfl.ie site: www.dbfl.ie

PROJECT
NEWTOWNMOYAGHY SHD

DRG. TITLE
LONGITUDINAL SECTIONS THROUGH SURFACE WATER SHEET 4 OF 6

CLIENT
MCGARRELL REILLY